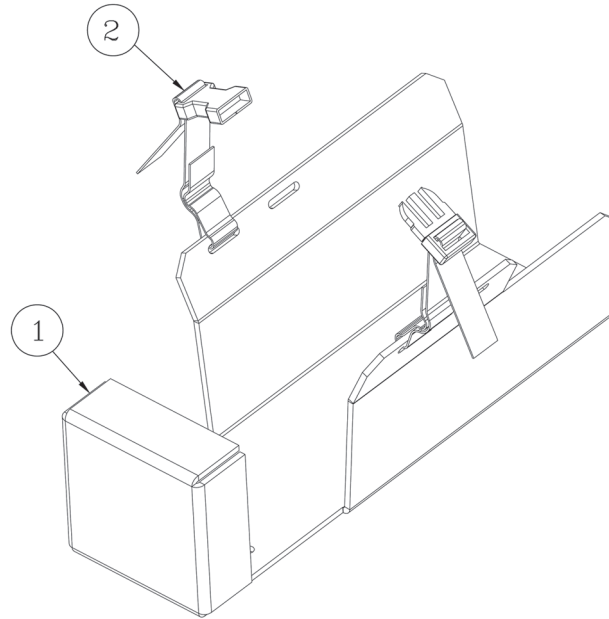
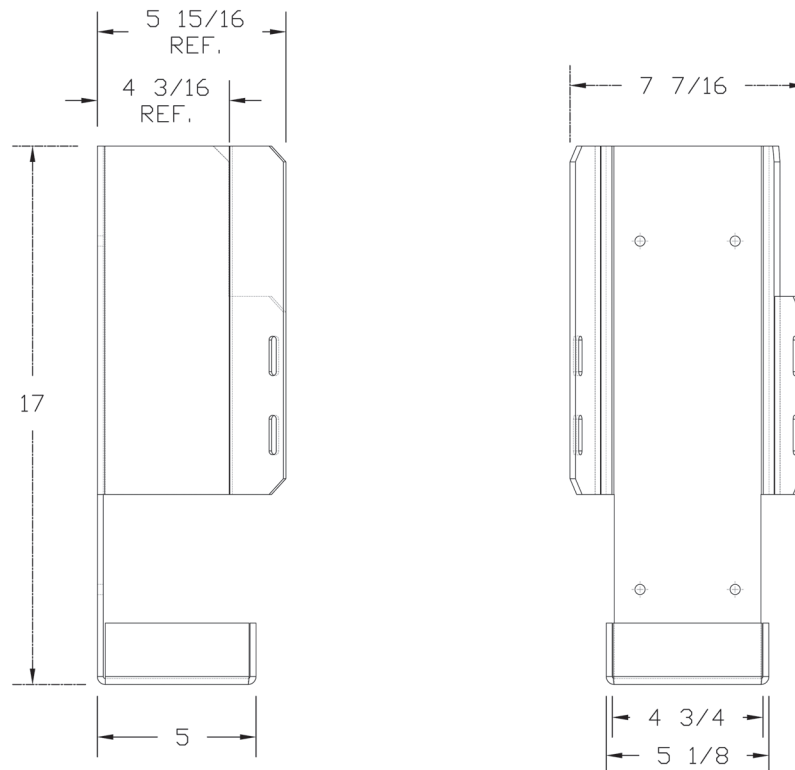


**QUIC-MOUNT® RAM BRACKET**  
**MODEL QM-RB-1**  
**PARTS AND INSTALLATION MANUAL**

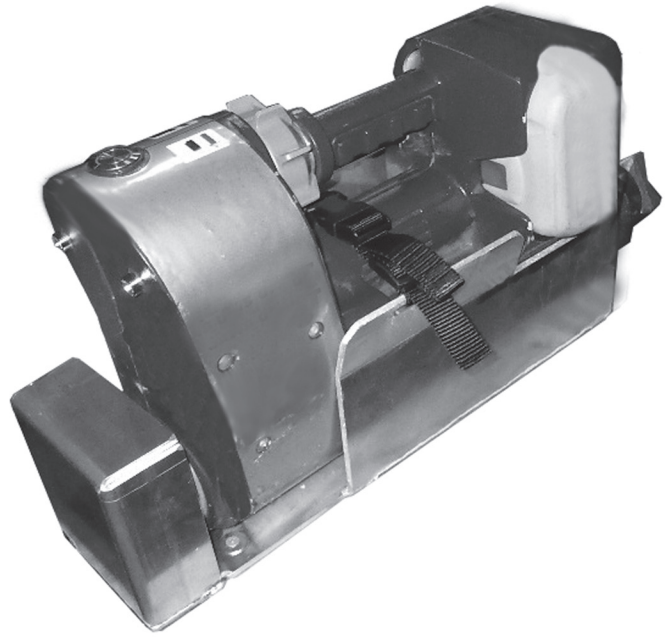


ITEM NO.	PART NO.	DESCRIPTION	QTY.
1	3095-250-101	Horizontal Ram Bracket	1
2	3070-101-105	Strap	1



## Installation Instructions:

1. Mount bracket to a flat surface using 3/8" hardware (not included).
2. Place ram into bracket. The extending end should face inward, the handle should face up.
3. Clip strap through handle gap. Adjust and tighten as needed.
4. To remove ram, unclip strap and pull free.



*Ziamatic Corp.*

10 West College Avenue, P.O. Box 337, Yardley, PA 19067-0587 • (215) 493-3618 • FAX: (215) 493-1401

\*ZICO is a registered trademark for fire, safety and marine products made by Ziamatic Corp.

[www.ziamatic.com](http://www.ziamatic.com)

TOLL FREE: 800-711-3473

Copyright Ziamatic Corp. 12-13