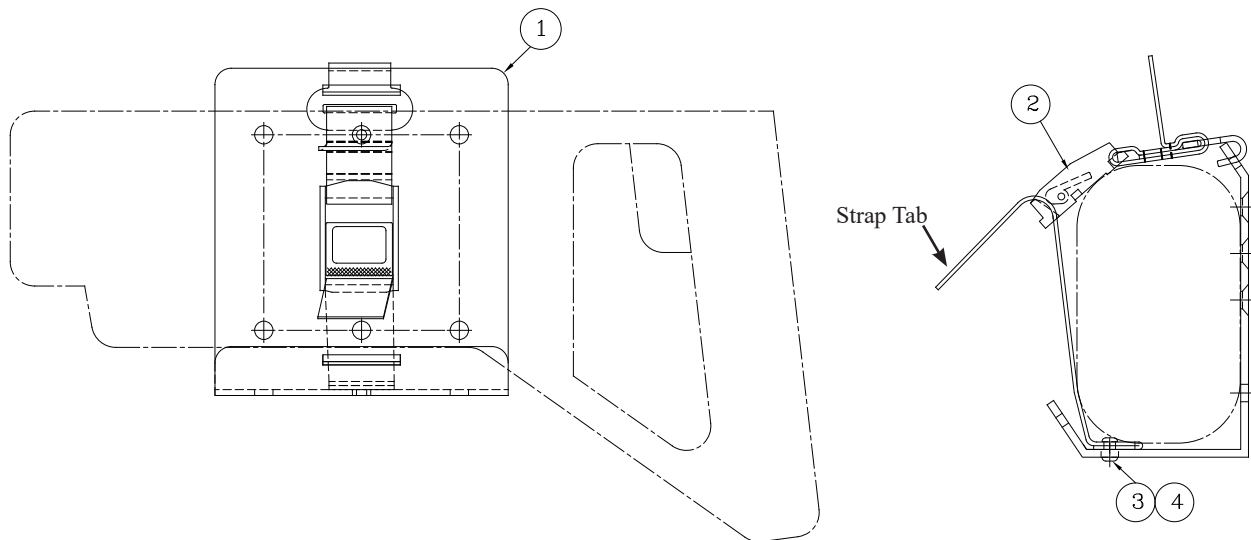


QUIC-MOUNT® RECIPROCATING SAW HOLDER



| MODEL | DESCRIPTION | WT./@ IN LBS. |
|--------|--------------------------|---------------|
| QM-RSH | Reciprocating Saw Holder | 0.85 |

| ITEM NO. | PART NO. | DESCRIPTION | QTY. |
|----------|--------------|-----------------------------|------|
| 1 | 3087-225-101 | Bracket, Recip Saw | 1 |
| 2 | 3087-225-105 | Retainer Strap/Release Assy | 1 |
| 3 | 9060-401101 | Male Fastener, Rivet Post | 1 |
| 4 | 9060-401102 | Female Fastener, Rivet Cap | 1 |

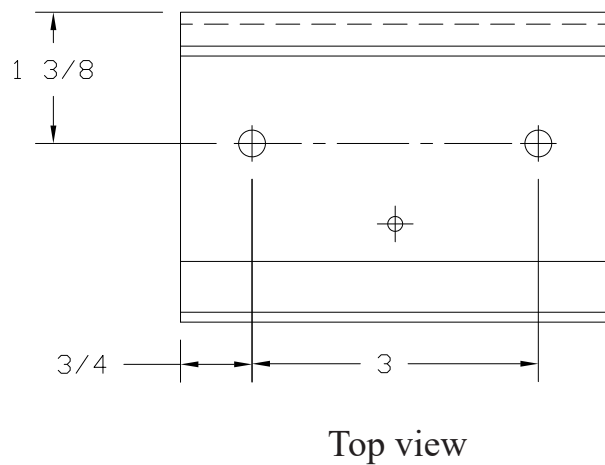
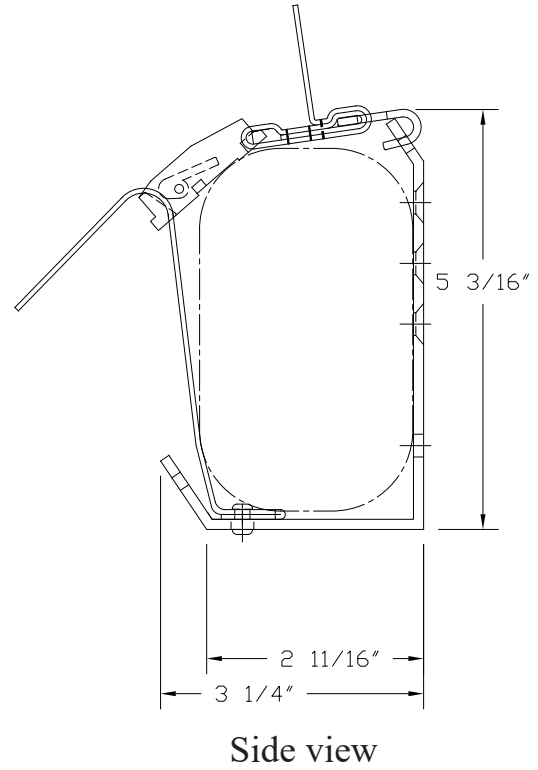
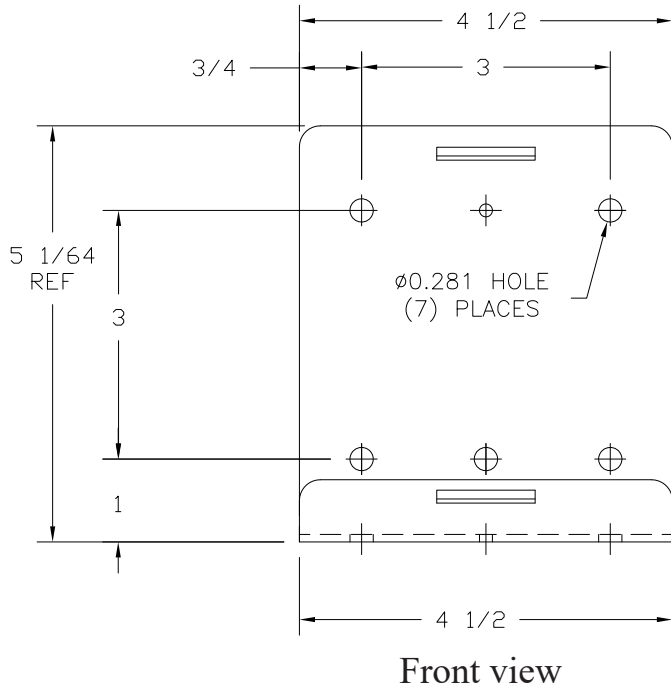


Easy to use:

- Loosen strap and unhook from the top slot
- Place saw onto holder as shown
- Secure strap hook into top slot and pull down on the tab to tighten.

Installation:

The QUIC-MOUNT Reciprocating Saw Holder comes fully assembled and can be mounted horizontally to any flat, securely sound surface using a minimum of 1/4" steel hardware (not included).



Ziamatic Corp.

10 West College Avenue, P.O. Box 337, Yardley, PA 19067-0587 • (215) 493-3618 • FAX: (215) 493-1401

*ZICO is a registered trademark for fire, safety and marine products made by Ziamatic Corp.

www.ziamatic.com

TOLL FREE: 800-711-3473

Copyright Ziamatic Corp. 3-11