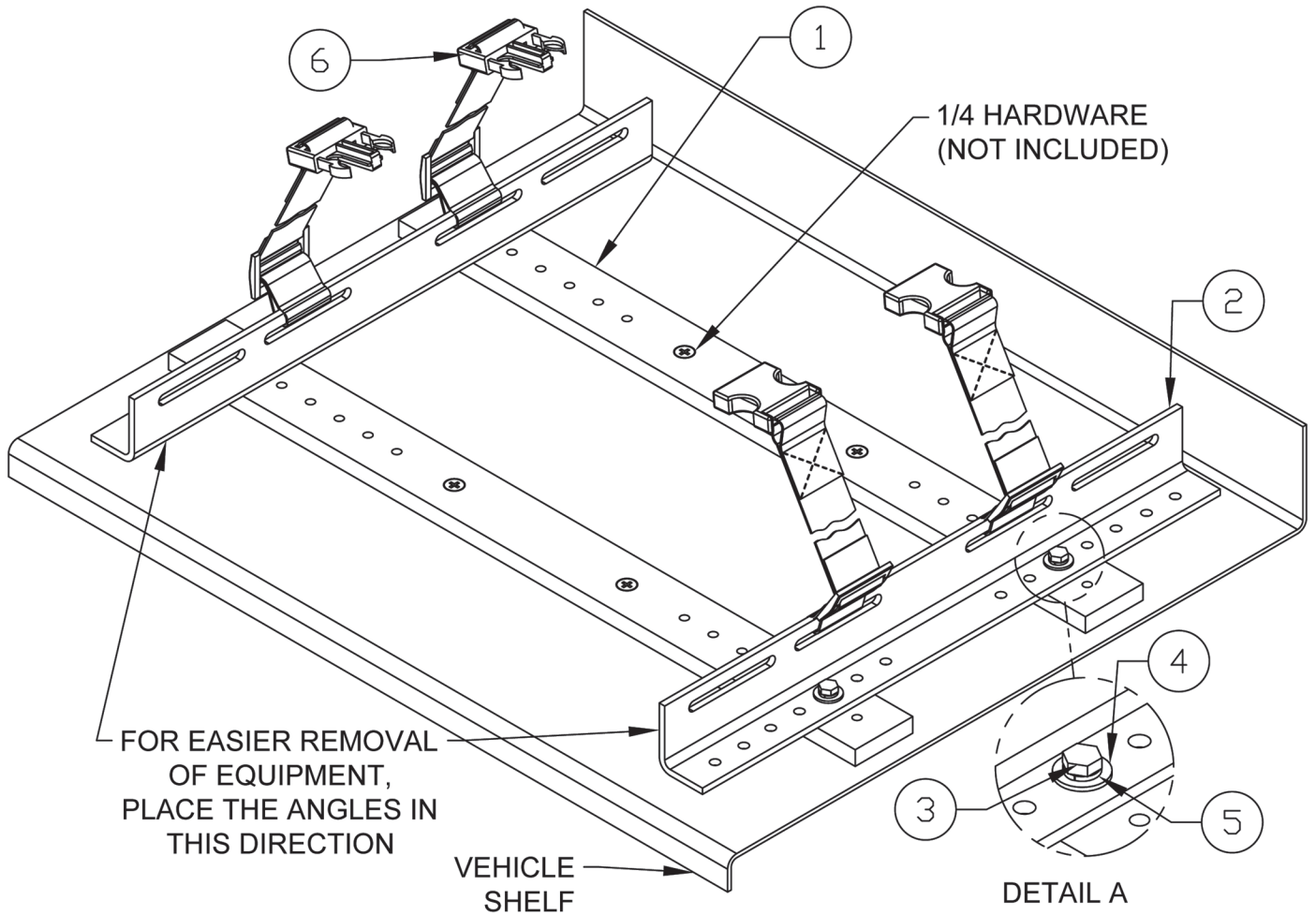
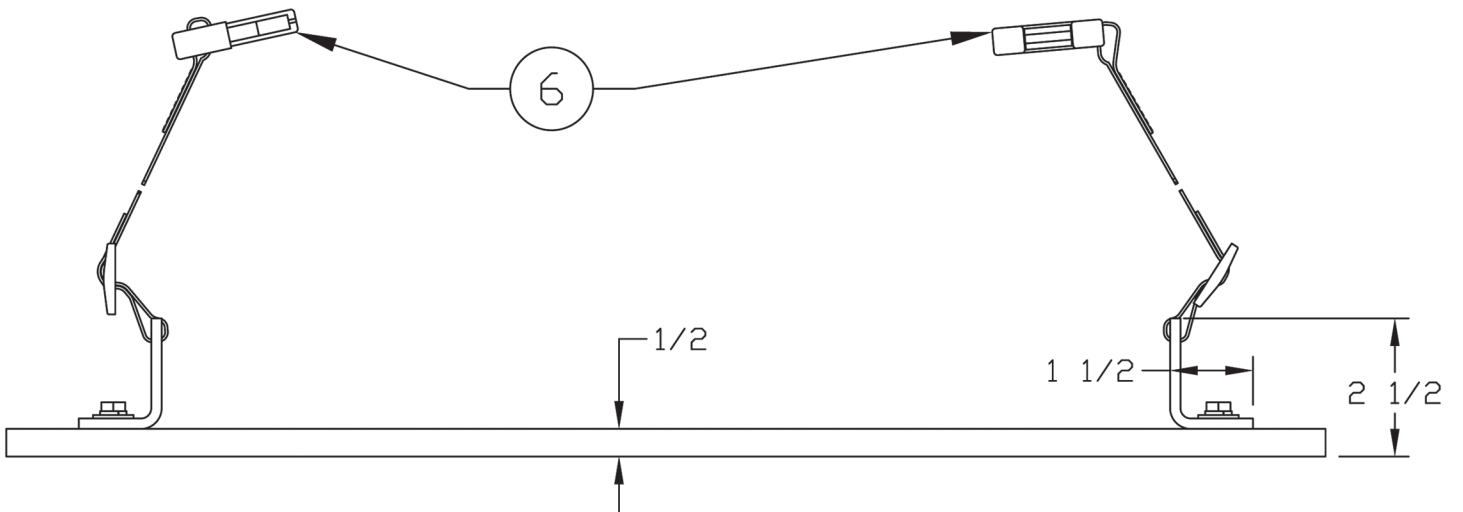
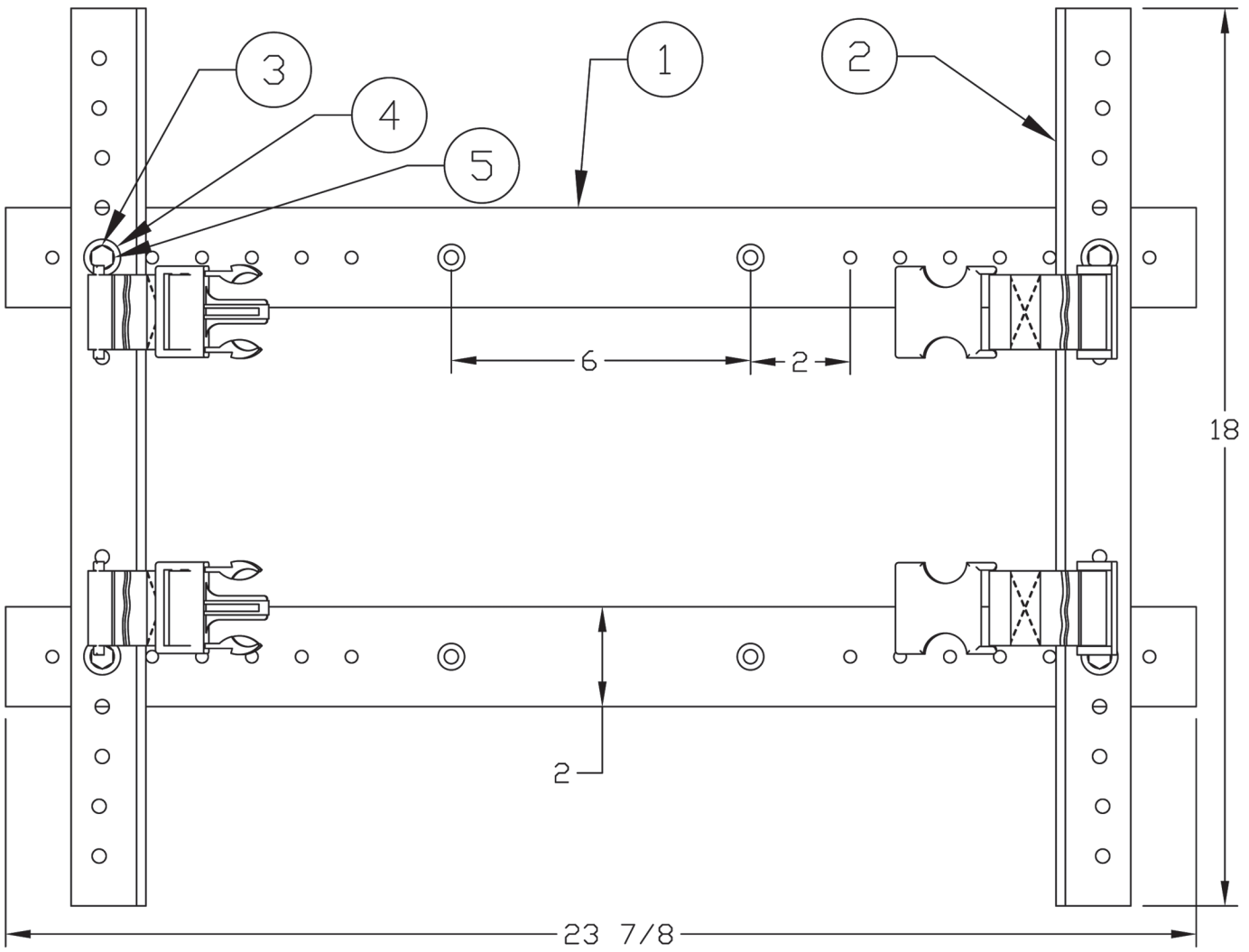


**QUIC-MOUNT UNIVERSAL DECK MOUNT
MODEL QM-UVDM-1
PARTS AND INSTRUCTION MANUAL**



MODEL	DESCRIPTION	WT./@ IN LBS.
QM-UVDM-1	Universal Deck Mount	4.5

ITEM	PART #	DESCRIPTION	QTY.
1	3087-275-101	Bar	2
2	3087-275-105	Angle	2
3	9110-102508	1/4-20 x 1/2 H/C Screw	4
4	9114-112500	1/4 Flat washer	4
5	9114-202500	1/4 Split Lock Washer	4
6	3087-207-105	Generator Mount Strap	2



Assembly and Mounting

Warning: To avoid apparatus damage and/or personal injury, check for hidden wires, hydraulic/pneumatic lines, etc. before drilling any holes.

Note: If the equipment to be secured is very large, it may be easier to do preliminary fitting and adjustment outside of the compartment before mounting bracket inside.

Numbers in parenthesis refer to item numbers on Page 1.

1. Lay out the two Bars (1) to match the approximate depth of the equipment to be mounted. Rest equipment on Bars and adjust fit as needed.
2. Place the two Angles (2) crosswise to the Bars, to match the approximately width of the equipment. They should be set as close to the equipment as adjustment holes will allow.
3. Finalize the positioning of the Bars and Angles and fasten them together using the 1/4-20 Screws (3), 1/4" Flat Washers (4), and 1/4" Split Lock Washers (5) provided.
4. Fasten the Universal Deck Mount to the vehicle using 1/4" hardware (not included).
5. Attach the Generator Mount Straps (6) to Angles (2) and adjust accordingly. Straps should be pulled tight around equipment with buckles positioned for easy access.



Ziamatic Corp.

10 West College Avenue, P.O. Box 337, Yardley, PA 19067-0587 • (215) 493-3618 • FAX: (215) 493-1401

*ZICO is a registered trademark for fire, safety and marine products made by Ziamatic Corp.

www.ziamatic.com

TOLL FREE: 800-711-3473

Copyright Ziamatic Corp. 8-16