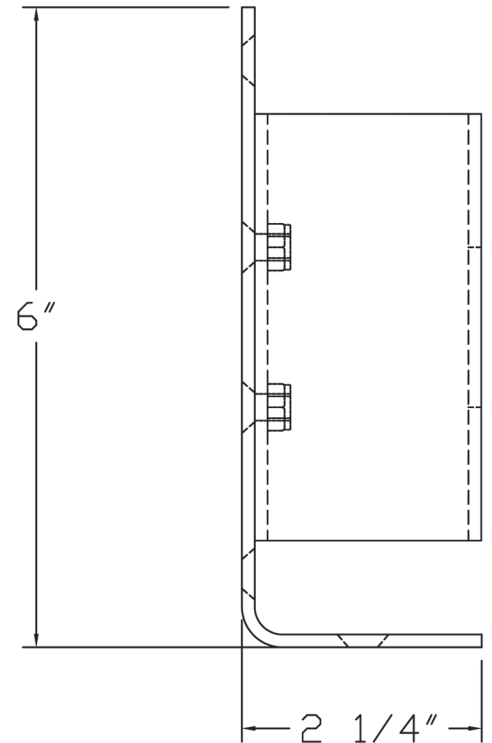
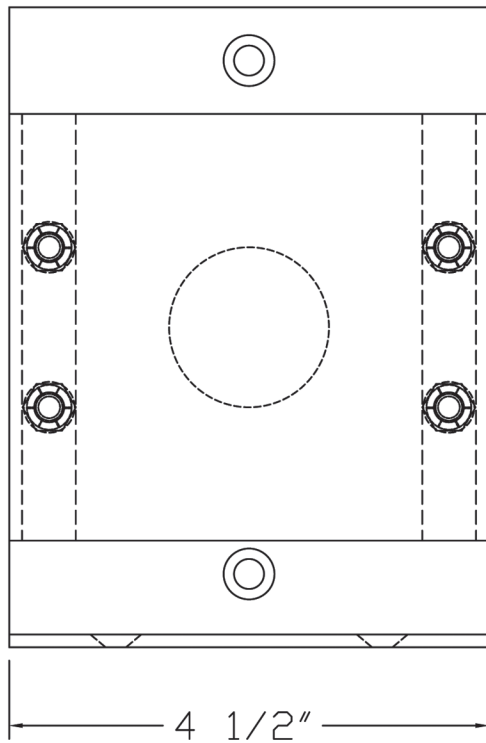
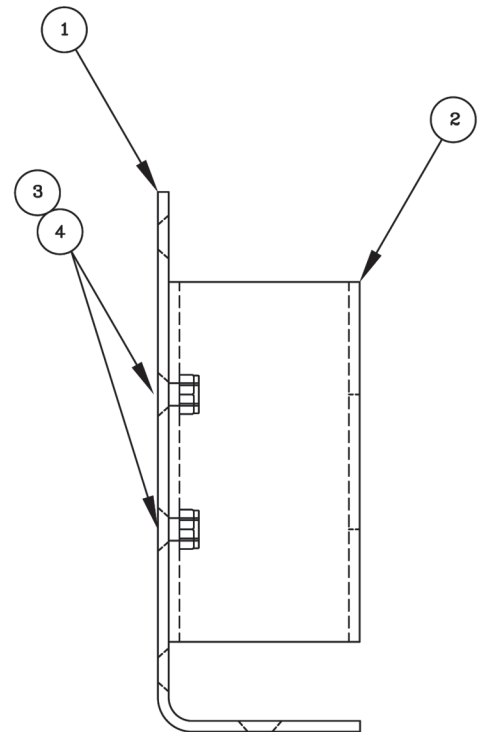
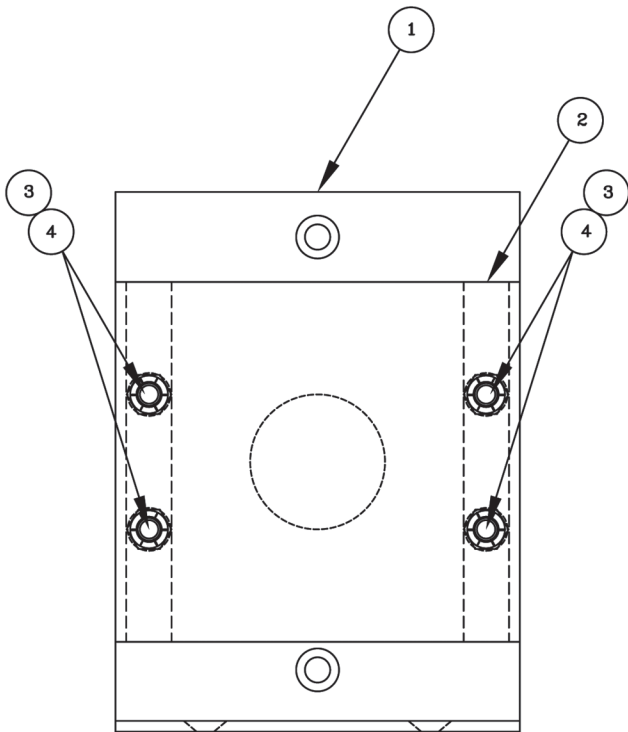
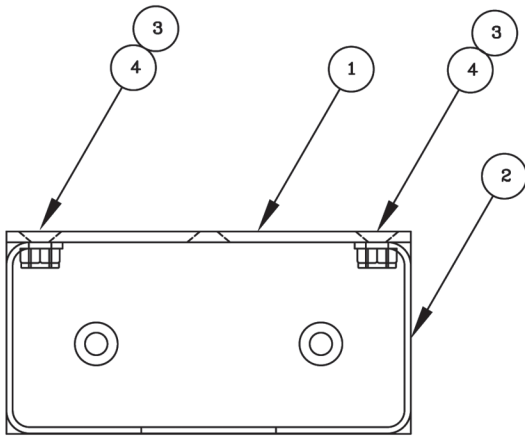


QUIC-MOUNT SPARE CHAIN HOLDER
MODEL QM-SCH
PARTS AND INFORMATION MANUAL

Holder accommodates loose, bagged, & blister-packaged chains.

Mounting Instructions: Mount using 1/4" flat head hardware.

MODEL	DESCRIPTION	WT./@ IN LBS.
QM-SCH	Spare Chain Holder	4.0



ITEM NO.	PART NO.	DESCRIPTION	QTY.
1	3087-263-101	Base	1
2	3087-263-103	Enclosure	1
3	9010-462509	Machine, Screw, 1/4-20 x 9/16" L, FH, 100°, Steel, Zinc Plt	4
4	9013-172501	Hex Nut, Self Locking, Thin Hght, 1/4-20, Steel, Zinc Plt	4



Ziamatic Corp.

10 West College Avenue, P.O. Box 337, Yardley, PA 19067-0587 • (215) 493-3618 • FAX: (215) 493-1401

www.ziamatic.com

TOLL FREE: 800-711-3473

*ZICO is a registered trademark for fire, safety and marine products made by Ziamatic Corp.

Copyright Ziamatic Corp. 4-16