

# QUIC-MOUNT VARIABLE CONTAINER MOUNT

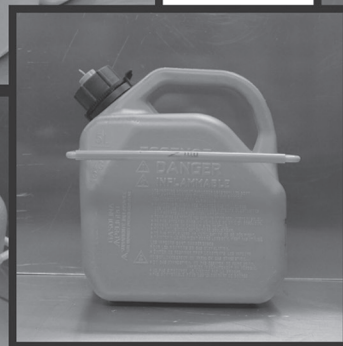
## MODEL QM-VCM

### PARTS AND INSTRUCTION MANUAL

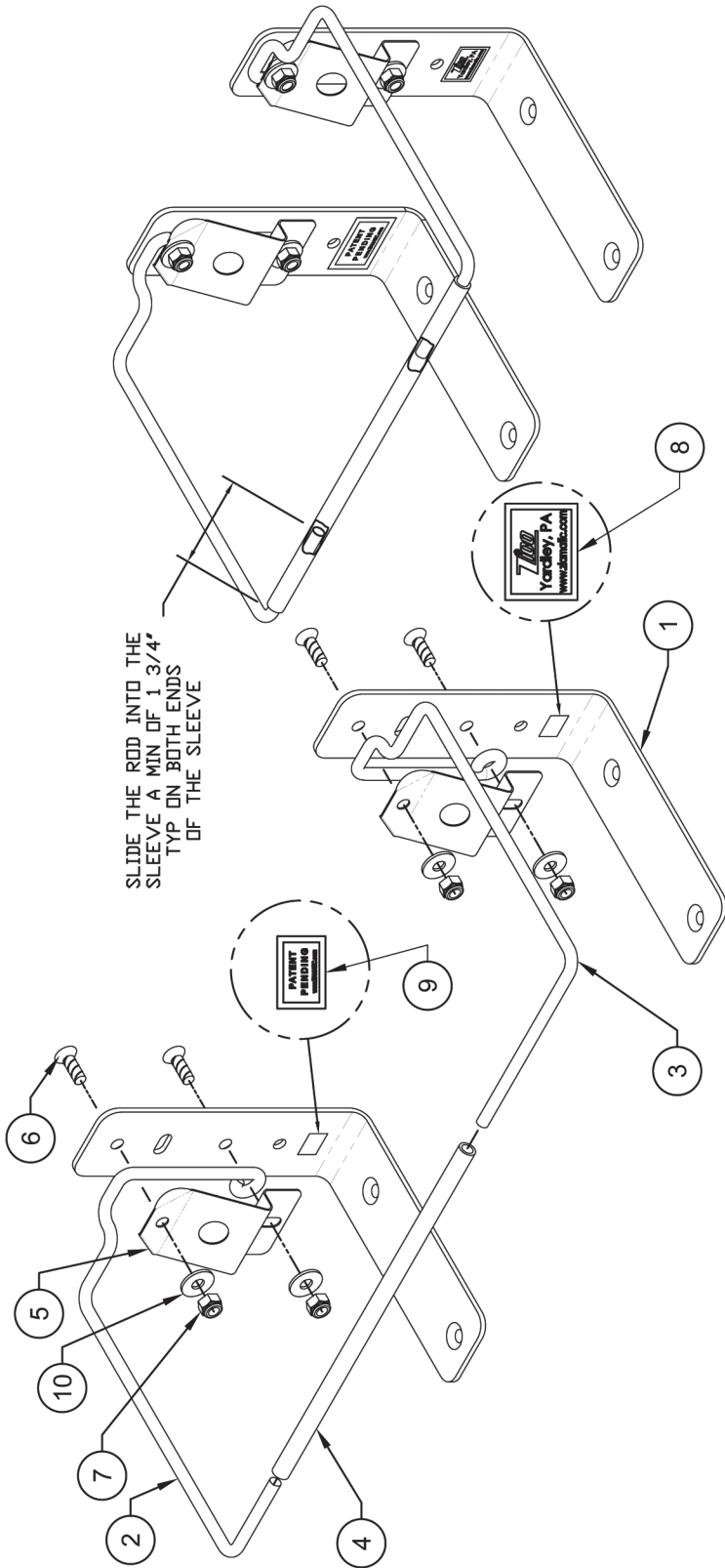


An adjustable support bar & backplate provide you with a wide range of storage options, from securing a single oddly-shaped container to stowing multiple quart containers all in one place.

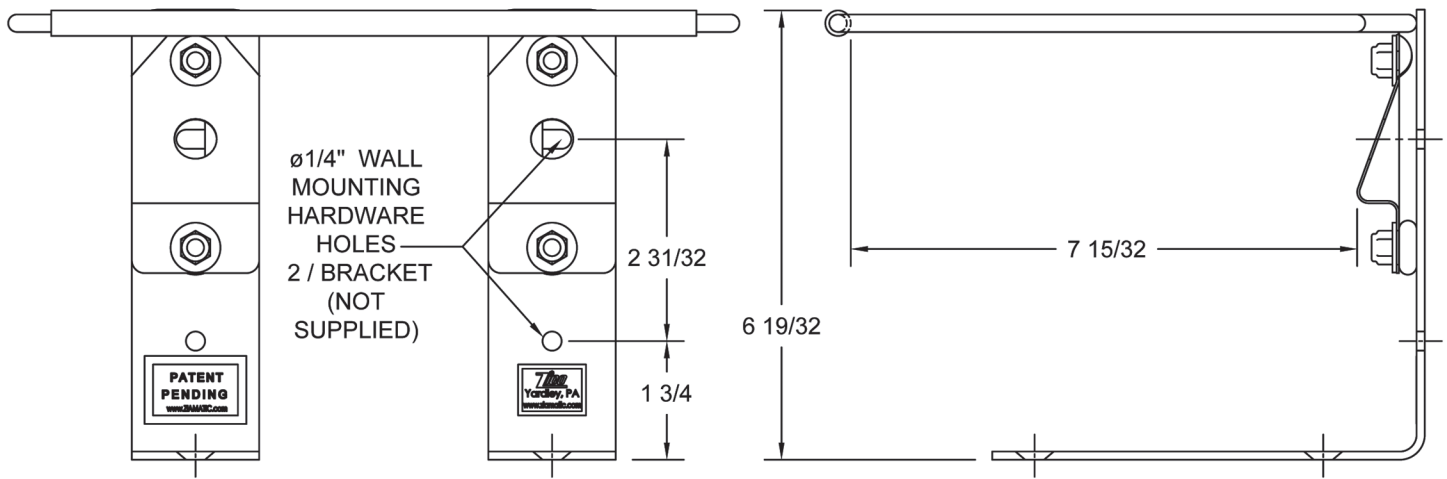
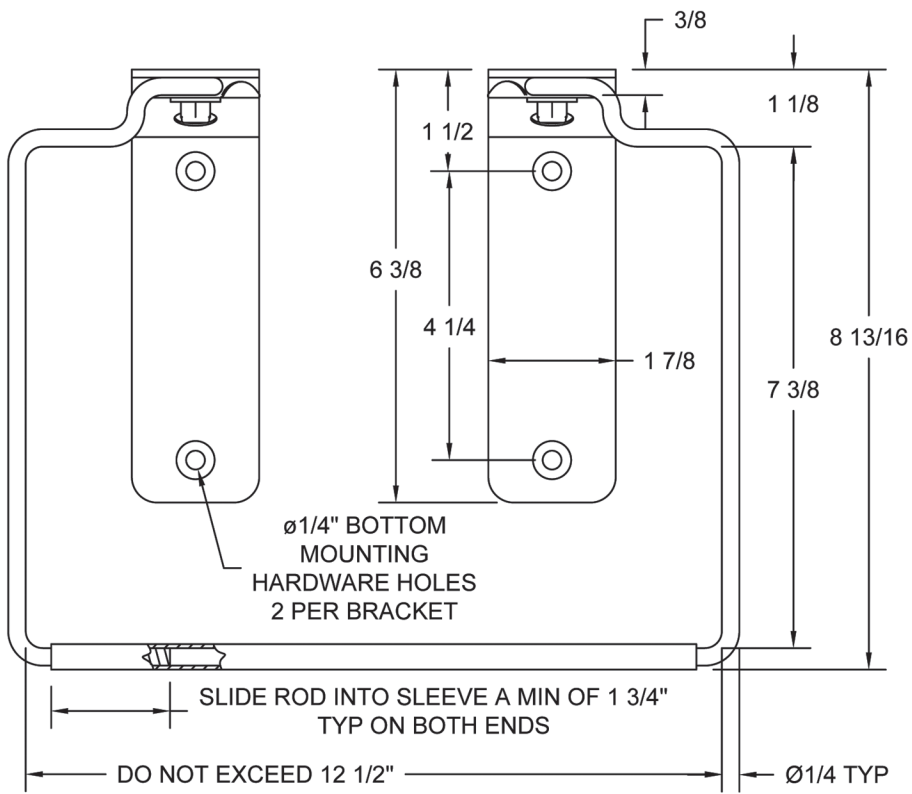
Made with strong steel for maximum support and powder-coated yellow for added protection.



MODEL	DESCRIPTION	WT./@ IN LBS.
QM-VCM	Variable Container Mount	2.0



ITEM	PART #	DESCRIPTION	QTY.
1	3087-237-101	Bracket Angle	2
2	3087-237-103	Rod, LH	1
3	3087-237-105	Rod, RH	1
4	3087-237-107	Sleeve	1
5	3087-237-109	Rod Clamp	2
6	9010-462512	Screw, 1/4-20NC x 3/4, 100° CSK, TORX, ZPS	4
7	9013-172500	Lock Nut, Nylon, 1/4-20NC, ZPS	4
8	0000-000-111	Label, ZICO, Yardley PA.	1
9	0000-000-147	Label, Patent Pending	1
10	9014-112500	Washer, 1/4" I.D., Flat, ZPS	4





*Ziamatic Corp.*

10 West College Avenue, P.O. Box 337, Yardley, PA 19067-0587 • (215) 493-3618 • FAX: (215) 493-1401

[www.ziamatic.com](http://www.ziamatic.com)

TOLL FREE: 800-711-3473

\*ZICO is a registered trademark for fire, safety and marine products made by Ziamatic Corp.

Copyright Ziamatic Corp. 9-16