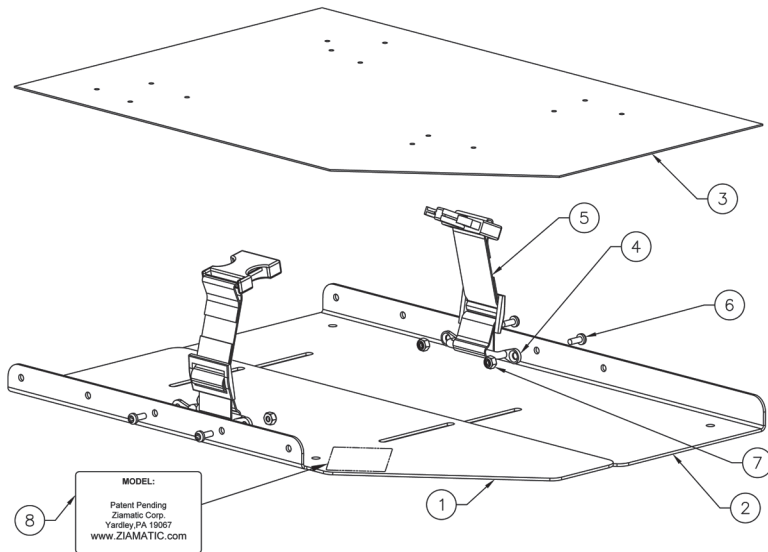


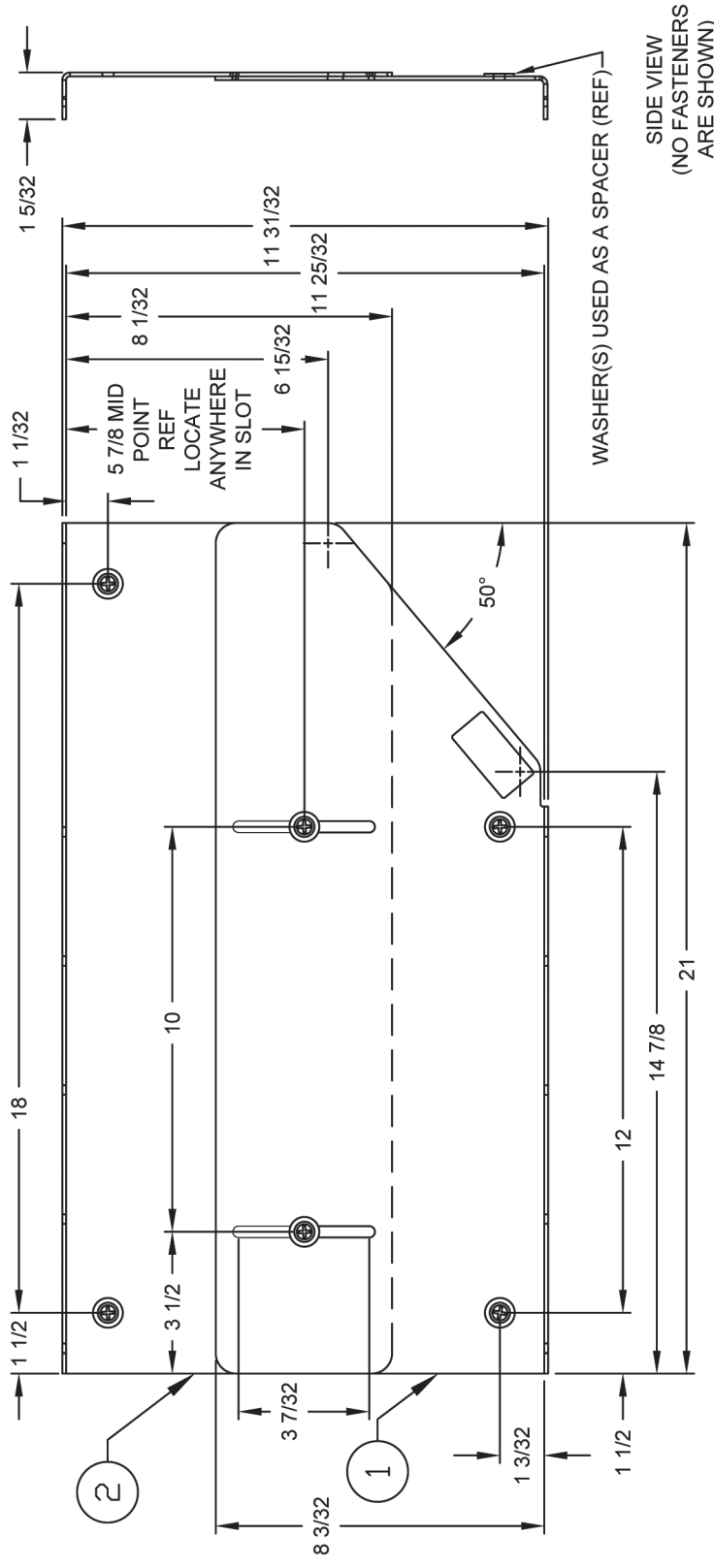
QUIC-MOUNT® ADJUSTABLE CHAINSAW MOUNT
MODEL QM-ACSM-1
PARTS AND INFORMATION MANUAL

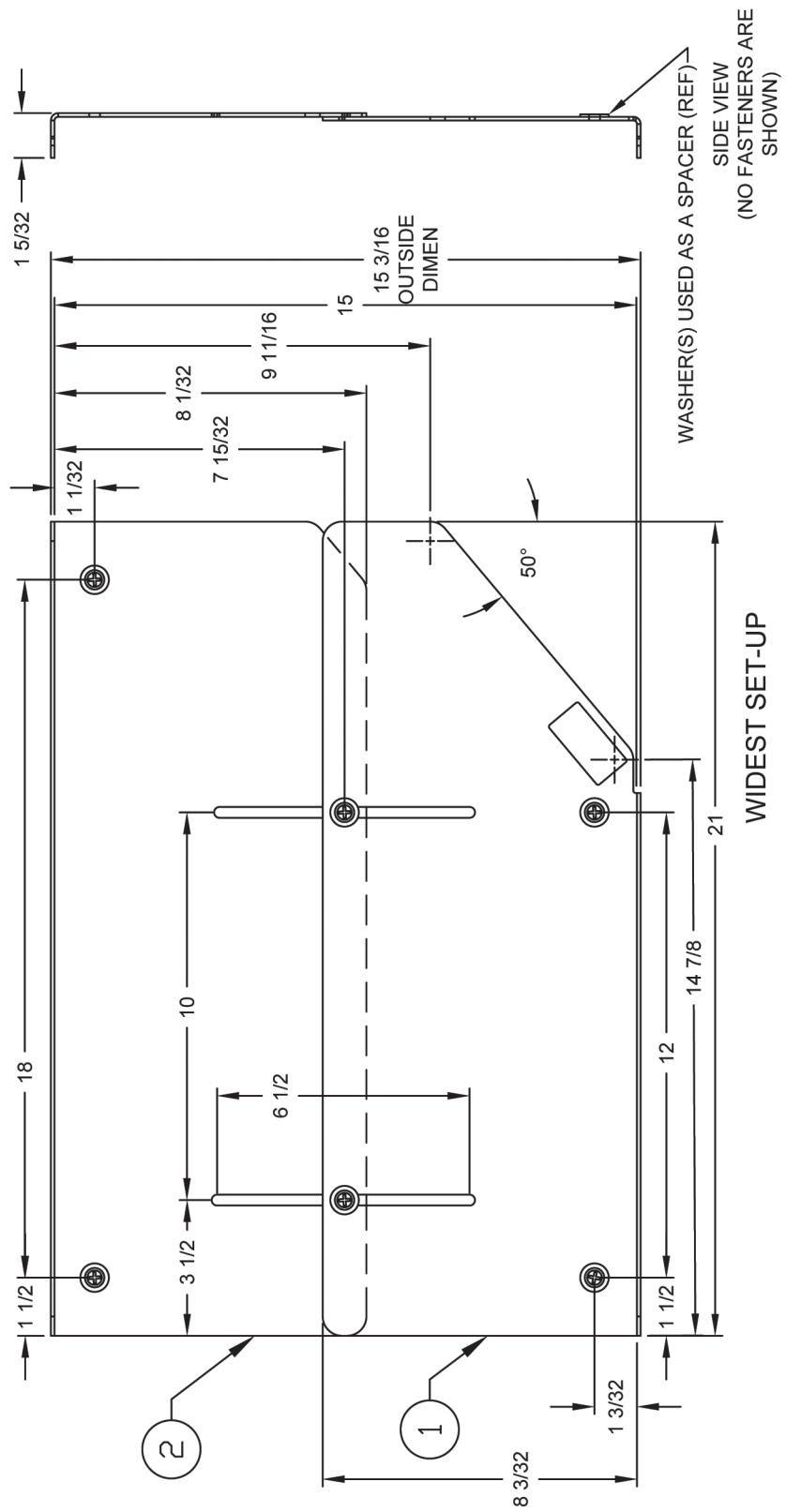


- Accommodates virtually any gas-powered saw, including circular and chain
- Heavy-duty nylon strap and buckle are easy to use with or without gloves
- Absorbant pad collects loose fluids, keeping compartments clean

MODEL	DESCRIPTION	WT./@ IN LBS.
QM-ACSM-1	Adjustable Chainsaw Mount	3.2
3087-265-105	Replacement Pad	.5

ITEM #	PART #	DESCRIPTION	QTY.
1	3087-265-101	TRAY, SLIDE	1
2	3087-265-103	TRAY, BASE	1
3	3087-265-105	PAD, ABSORBENT	1
4	3099-000-013	FOOTMAN'S LOOP, 2" STRAP	2
5	3087-149-115	STRAP, 1-1/2" WIDE, CHAINSAW MOUNT	1
6	9010-222008	SCREW, 10-32NC X 1/2, PAN HD, ZPS	4
7	9013-172000	LOCK NUT, 10-32NC, ZPS	4
8	0000-000-149	TAG, MODEL #	1





Mounting Instructions:

Note: 1/4" mounting hardware is not supplied.

Important: Before drilling, inspect the proposed area where the Adjustable Chainsaw Mount is to be mounted for any hidden wires, hydraulic/pneumatic lines, etc. Make any necessary adjustments in the placement of the mount in order not to damage those items.

1. Place the Tray Slide (Item 1) on top of the Tray Base (Item 2) on the vehicle's shelf.
2. Place the saw onto the trays and adjust the width of the trays to the narrowest position. Make sure that the saw and the Trays are clear of any doors that will be closed and/or check for proper drawer operation.
3. Within the long mounting slots, mark and drill for 1/4" hardware. Leave fasteners loose for final adjustments.
4. Place the Strap (Item 5) across the unit where it seems best to secure it.

Note: Due to the shape of most chainsaws, circular cutting saws, etc., the Footman's Loops (Item 4) can usually be placed in the inside area of the trays. This will save outside width space. Place them outside if necessary.

5. Align and fasten the Footman's Loops (Item 4) with the Strap (Item 5) to the trays with the Screws (Item 6) and Lock Nuts (Item 7).
6. Fasten the corners of the trays with 1/4" hardware and tighten the hardware within the slots.
7. Place the saw onto the Mount and tighten the Strap accordingly.



Ziamatic Corp.

10 West College Avenue, P.O. Box 337, Yardley, PA 19067-0587 • (215) 493-3618 • FAX: (215) 493-1401

www.ziamatic.com

TOLL FREE: 800-711-3473

*ZICO is a registered trademark for fire, safety and marine products made by Ziamatic Corp.

Copyright Ziamatic Corp. 5-16