

**QUIC-MOUNT™ MULTIVERSAL NOZZLE BRACKET
MODEL MVNB-1
PARTS AND INSTRUCTION MANUAL**

The Multiversal Nozzle Bracket, model MVNB-1, allows the nozzle to be securely mounted to the apparatus in a variety of different ways.

Base is powder-coated cast aluminum for maximum durability. Top support is PVC-coated to protect the nozzle.

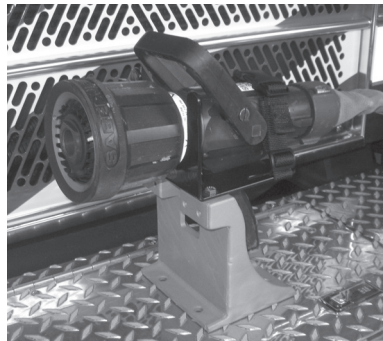
For nozzle size, see page 4.



MODEL	DESCRIPTION	WT./@ IN LBS.
MVNB-1	Multiversal Nozzle Bracket	3.4

Mount Configurations:

Horizontal Mount



Horizontal Nozzle



Vertical Nozzle

Vertical Mount



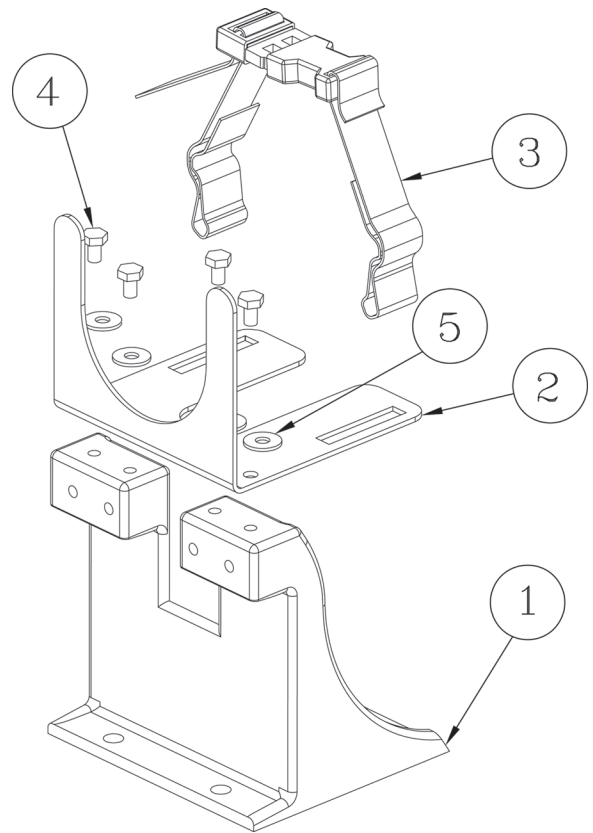
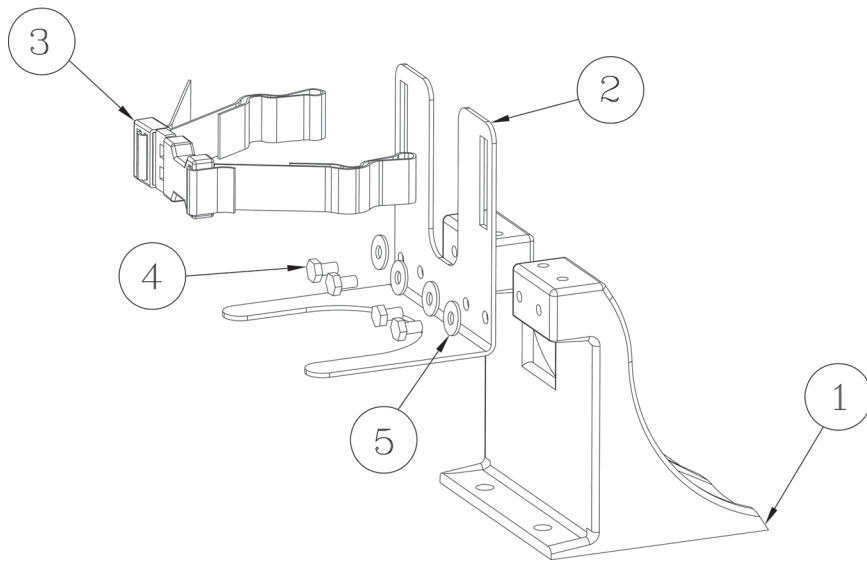
Vertical Nozzle



Horizontal Nozzle

Parts Diagram/Breakdown - MVNB-1

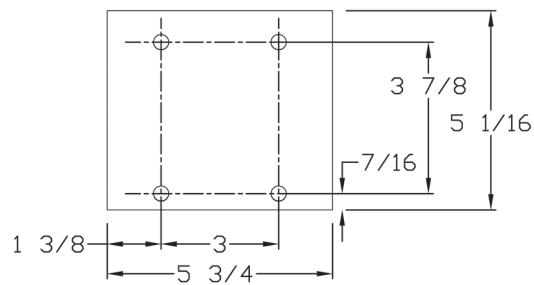
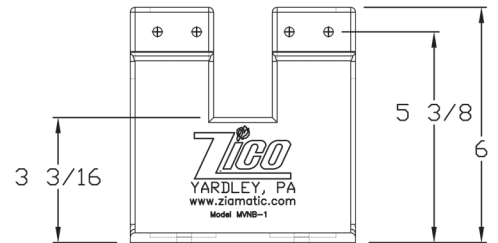
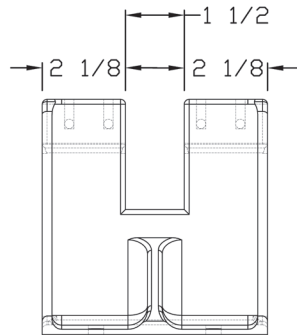
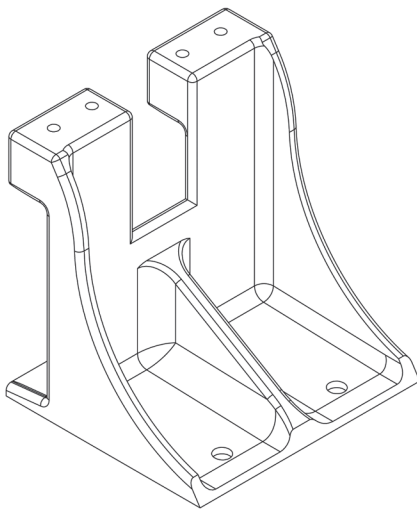
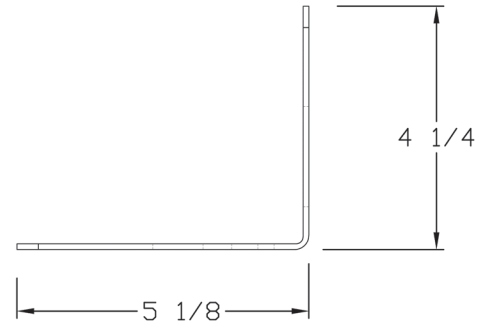
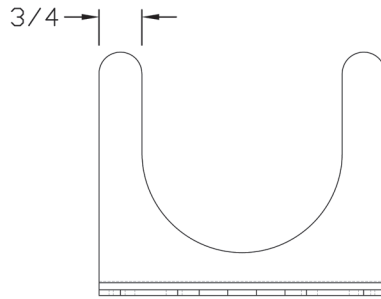
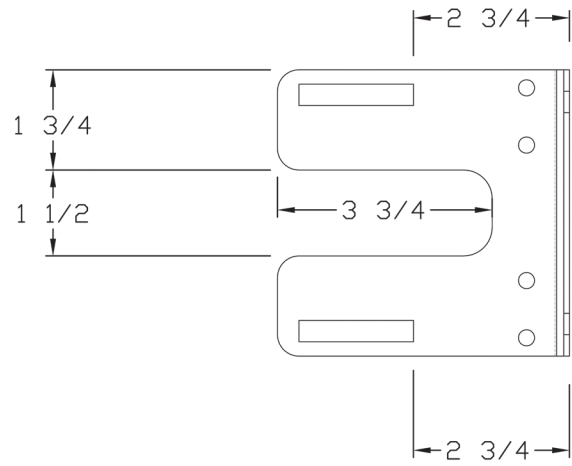
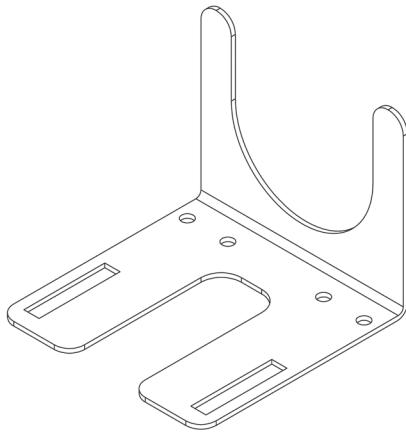
Assembly Option 1



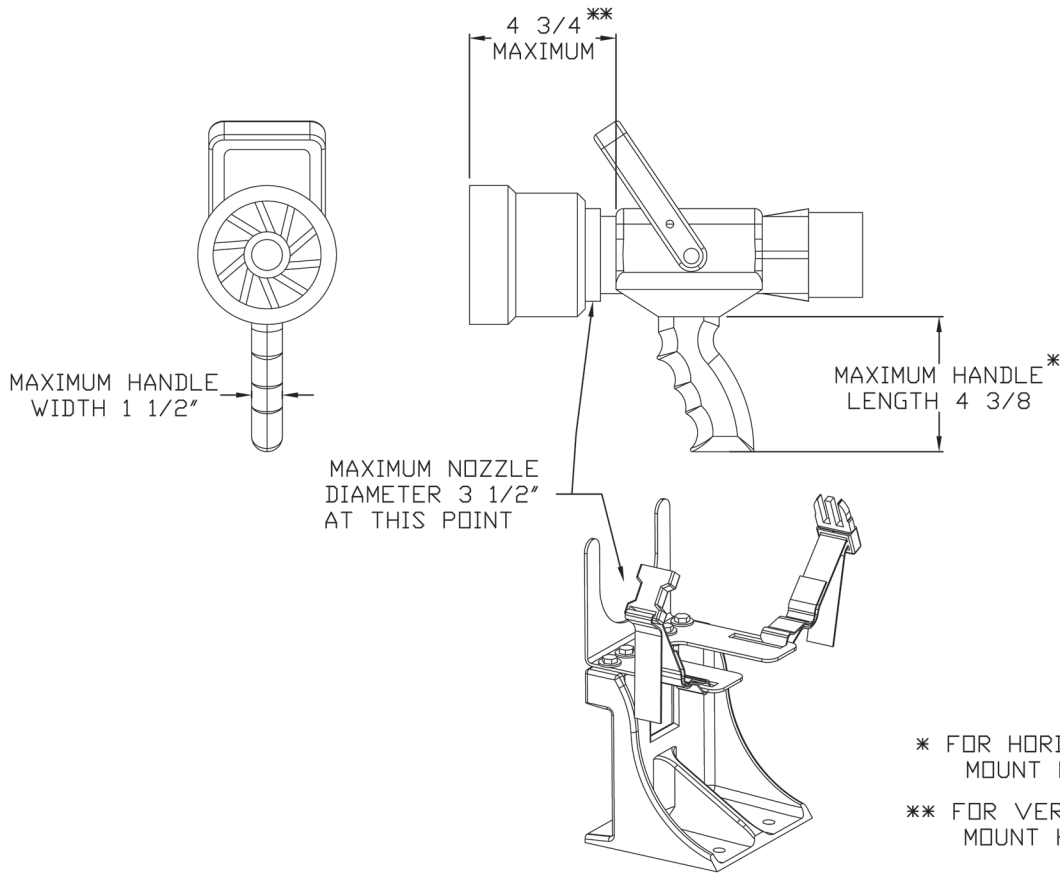
Assembly Option 2

ITEM NO.	PART NO.	DESCRIPTION	QTY.
1	3070-101-101	Nozzle Holder Base Casting	1
2	3070-101-103	Nozzle Holder Support	1
3	3070-101-105	Strap, MVNB-1	1
4	9010-102508	Screw Hex 1/4" -20 x 1/2"	4
5	9010-112500	Washer 1/4"	4

Parts Dimensions - MVNB-1



Nozzle Size - MVNB-1



Ziamatic Corp.

10 West College Avenue, P.O. Box 337, Yardley, PA 19067-0587 • (215) 493-3618 • FAX: (215) 493-1401

*ZICO is a registered trademark for fire, safety and marine products made by Ziamatic Corp.

www.ziamatic.com

TOLL FREE: 800-711-3473

Copyright Ziamatic Corp. 9-12