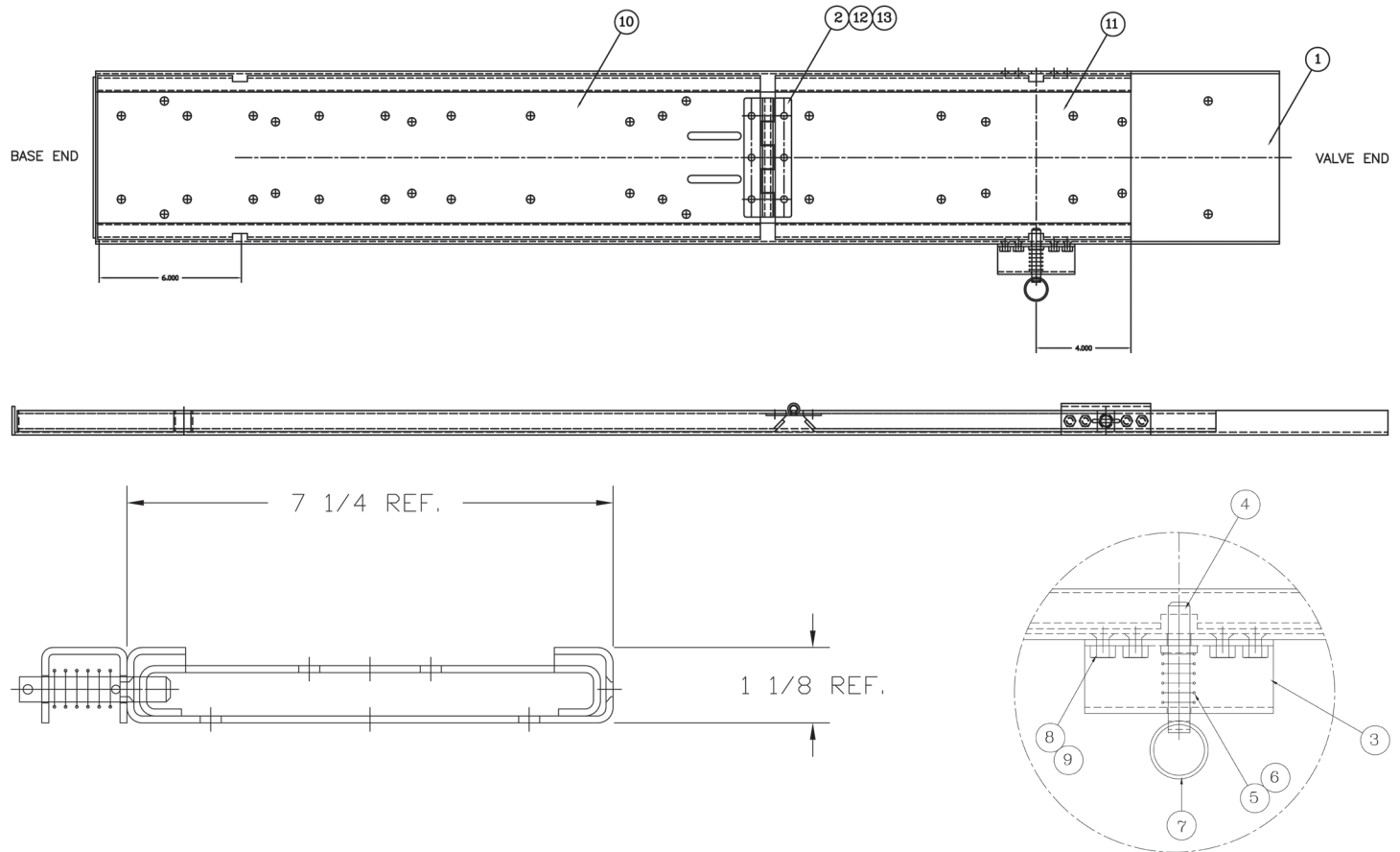
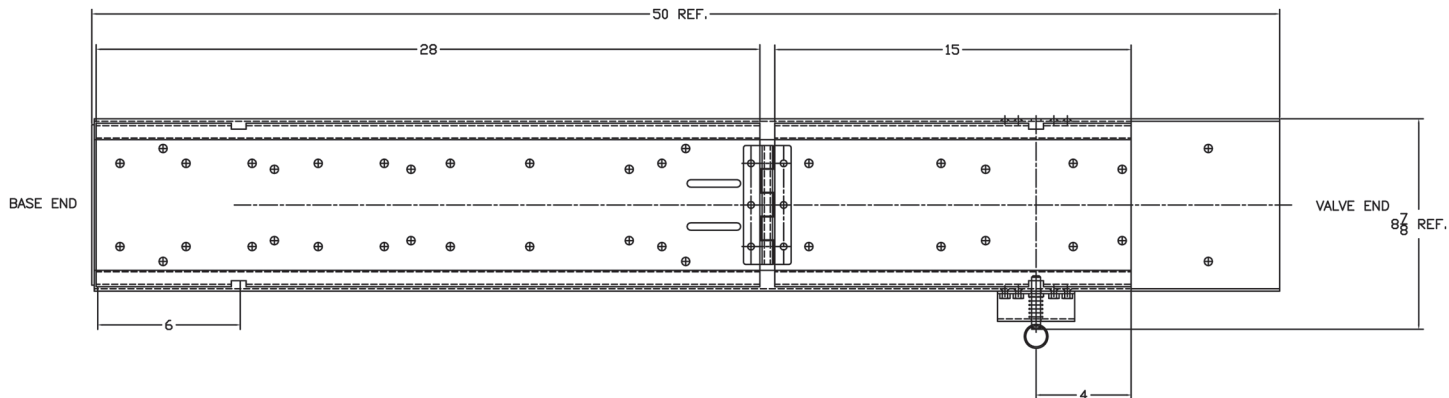


QUIC-RELEASE® SLIDE ASSEMBLY WITH HINGE
MODEL QR-SAFD
PARTS AND DIMENSIONS

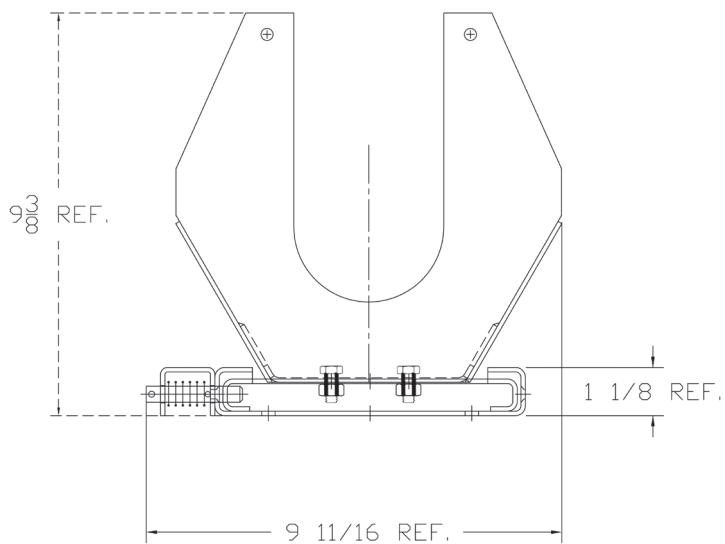


NOTE: This mounting device has been designed for use with the Model QR-MV Multiversal Bracket which must be ordered separately. See dimensions on reverse.

ITEM NO.	PART NO.	DESCRIPTION	QTY.
1	3030-130-105	Base	1
2	3030-160-117	Hinge	1
3	3030-130-112	Lock Bracket	1
4	3030-130-115	Lock Pin	1
5	3030-130-120	Spring	1
6	9040-111212	Roll Pin 1/8ø x 3/4" Lg. SS	1
7	0000-000-123	Key Ring, .142 Thk. x 1.48 OD ZP	1
8	9010-162008	Screw, 10-32 x 1/2 FH, 100°	4
9	9013-172000	Hex Nut, 10-32, Self Locking	4
10	3030-132-103	Slider Main	1
11	3030-132-105	Slider Extension	1
12	9010-102508	Screw, 1/4-20 x 1/2, Hex Hd.	6
13	9013-172500	Hex Nut, 1/4-20 Self Lock	6



MODEL QR-MV SHOWN



Ziamatic Corp.

10 West College Avenue, P.O. Box 337, Yardley, PA 19067-0587 • (215) 493-3618 • FAX: (215) 493-1401

*ZICO is a registered trademark for fire, safety and marine products made by Ziamatic Corp.

www.ziamatic.com

TOLL FREE: 800-711-3473

Copyright Ziamatic Corp. 5-12